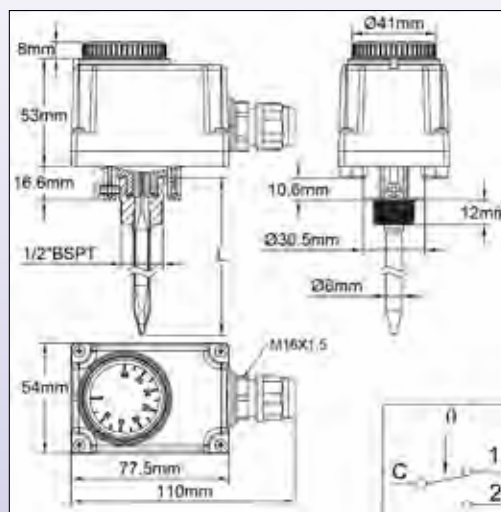


Y0 range - IP20 to IP44 enclosures and thermostatic controls

Set point adjustable rod thermostat, IP44 commercial housing type Y04 With general use stainless steel or nickel plated pocket



Housing: IP44, 77,5 x 54 x 536 mm, (Knob and cable gland not included), black PC-ABS, UL94V0. High impact and UV resistance. Stainless steel wall mounting plate, with 2 plastic lugs.

Electrical input: M16 cable gland.

Temperature Adjustment: With °C printed knob.

°F printed knobs available in option

Sensing element: Liquid filled bulb, located inside a backside mounted 304L stainless steel pocket.

Adjustment ranges: -35+35°C (-30+95°F), 4-40°C (40-105°F), 30-90°C (85-195°F), 30-110°C (90-230°F)

Rod length: 90, 230, 300 mm. Other length on request

Electrical connections: screw terminals

Mounting: by the 1/2" BSPT pocket fitting

Contact: SPDT

Electrical rating:

- Open on temperature rise contact (C-1) 16A(2.6) 250VAC

- Close on temperature rise contact (C-2) 6A(0.6) 250VAC

- Electrical life >100.000 cycles.

Cannot be used in 400VAC.

Main references with nickel plated brass pocket*

Temperature ranges (°C)	Temperature ranges (°F)	References in °C with rod length L=90 mm*	References in °C with rod length L=230 mm*	References in °C with rod length L=300 mm*	Differential °C (°F)	Max temperature on rod °C (°F)
-35+35°C	-30+95°F		Y048GA-35035N23C	Y048GA-35035N30C	3±2 (5.5±4)	55 (130)
4-40°C	40-105°F		Y048GA004040N23C	Y048GA004040N30C	3±2 (5.5±4)	60 (140)
30-90°C	85-195°F	Y048GA030090N09C	Y048GA030090N23C	Y048GA030090N30C	4±3 (7±5.5)	120 (250)
30-110°C	90-230°F	Y048GA030110N09C	Y048GA030110N23C	Y048GA030110N30C	5±3 (9±7)	150 (300)

Main references with AISI 304 pocket*

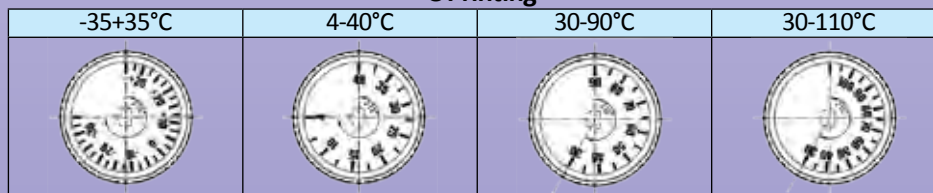
Temperature ranges (°C)	Temperature ranges (°F)	References in °C with rod length L=90 mm*	References in °C with rod length L=230 mm*	References in °C with rod length L=300 mm*	Differential °C (°F)	Max temperature on rod °C (°F)
-35+35°C	-30+95°F		Y048GA-35035I23C	Y048GA-35035I30C	3±2 (5.5±4)	55 (130)
4-40°C	40-105°F		Y048GA004040I23C	Y048GA004040I30C	3±2 (5.5±4)	60 (140)
30-90°C	85-195°F	Y048GA030090I09C	Y048GA030090I23C	Y048GA030090I30C	4±3 (7±5.5)	120 (250)
30-110°C	90-230°F	Y048GA030110I09C	Y048GA030110I23C	Y048GA030110I30C	5±3 (9±7)	150 (300)

Other temperature range, consult us

* Versions with °F printed knobs: replace the last character C by D in the reference

Knob printings

°C Printing



°F Printing

